

# Data Sheet

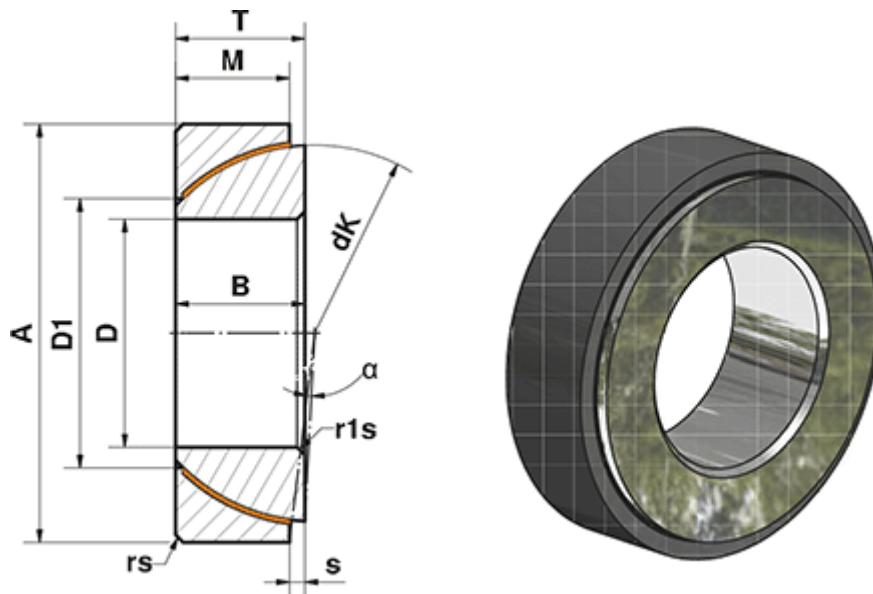


Article number: 03449065

Description: Fluro Heavy Duty Spherical Plain Bearing GE 65 SWE  
Hole Ø65

Note: 65

## Measures



A	= 100	rs, r1s min	= 1.1
a (degrees)	= 1	S	= 6.5
B	= 23	Static load C0 (kN)	= 836
D	= 65	T	= 23
D1	= 76.6	Weight (g)	= 759
dK	= 93.5		
Dynamic load C (kN)	= 502		
M	= 22		